

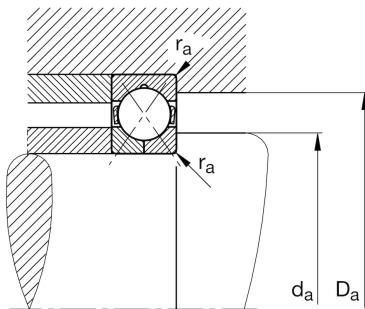
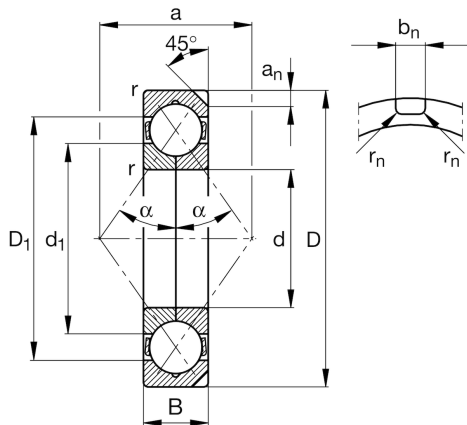
FAG

QJ230-N2-MPA

Four-point contact bearing

Schaeffler ID:
0167423540000Four point contact bearing QJ2..-N2-MPA,
holding grooves, solid brass cage

Technical information



Main Dimensions & Performance Data

d	150 mm	Bore diameter
D	270 mm	Outside diameter
B	45 mm	Width
C_r	350.000 N	Basic dynamic load rating, radial
C_{0r}	485.000 N	Basic static load rating, radial
C_{ur}	18.900 N	Fatigue load limit, radial
n_G	4.350 1/min	Limiting speed
n_{gr}	2.360 1/min	Reference speed
	11,89 kg	Weight

Dimensions

r_{min}	3 mm	Minimum chamfer dimension
D_1	226,7 mm	Shoulder diameter outer ring
d_1	193,8 mm	Shoulder diameter inner ring
a	147 mm	Distance between the apexes of the pressure cones
a_n	11,7 mm	Height retaining slot
b_n	10,5 mm	Width retaining slot
r_n	2 mm	Radius retaining slot
	45 °	Angle retaining slot
α	35 °	Contact angle

Mounting dimensions

$d_{a min}$	164 mm	Minimum diameter shaft shoulder
$D_{a max}$	256 mm	Maximum diameter of housing shoulder
$r_{a max}$	2,5 mm	Maximum fillet radius

Temperature range

T_{min}	-30 °C	Operating temperature min.
T_{max}	200 °C	Operating temperature max.